

OPEN STEEL STAIR TREADS

TO: _____

REF: _____

DATE: _____

Please tick appropriate boxes and fill in relevant dimensional information

• NUMBER REQUIRED _____

• LOAD BEARING BAR SECTION (E.G. 25 x 3mm) _____ mm

• BEARING BAR/CROSS BAR ARRANGEMENT (E.G. 41/100mm) _____ mm

• LENGTH (DIM. A) _____ mm

• WIDTH (DIM. B) OPEN TREAD STANDARD - 283mm
 LADDER TREAD STANDARD - 129mm

OTHER - SPECIFY _____

OPEN TREAD

END PLATE HOLE CENTRES

• DIM. C 100mm 112mm STANDARD 125mm

LADDER TREAD ONLY

END PLATE HOLE CENTRES

• DIM. C 50mm 75mm STANDARD

FINISH

SELF COLOUR

GALVANISED

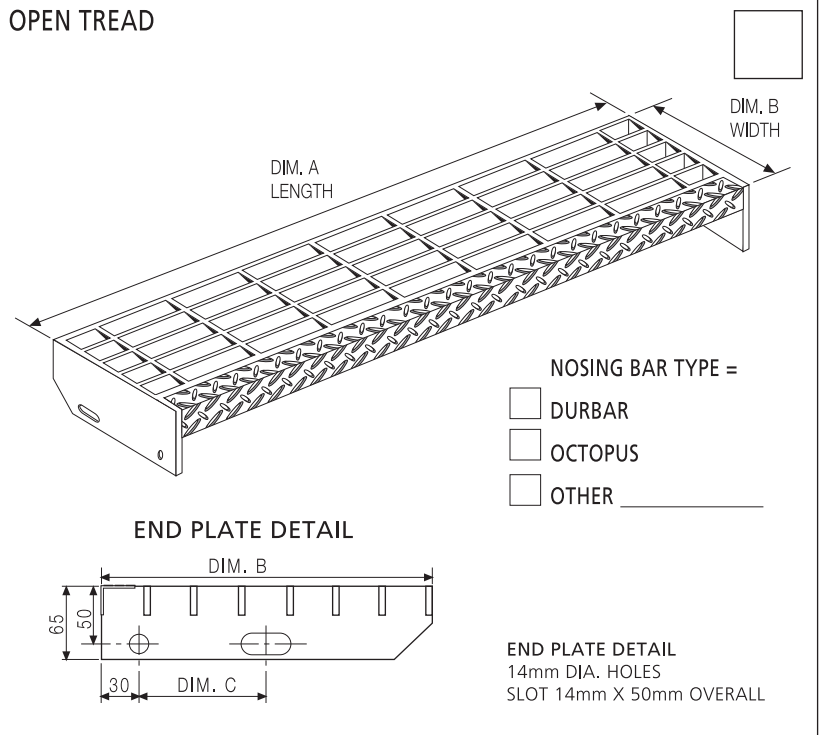
PRIMER PAINTED

OTHER

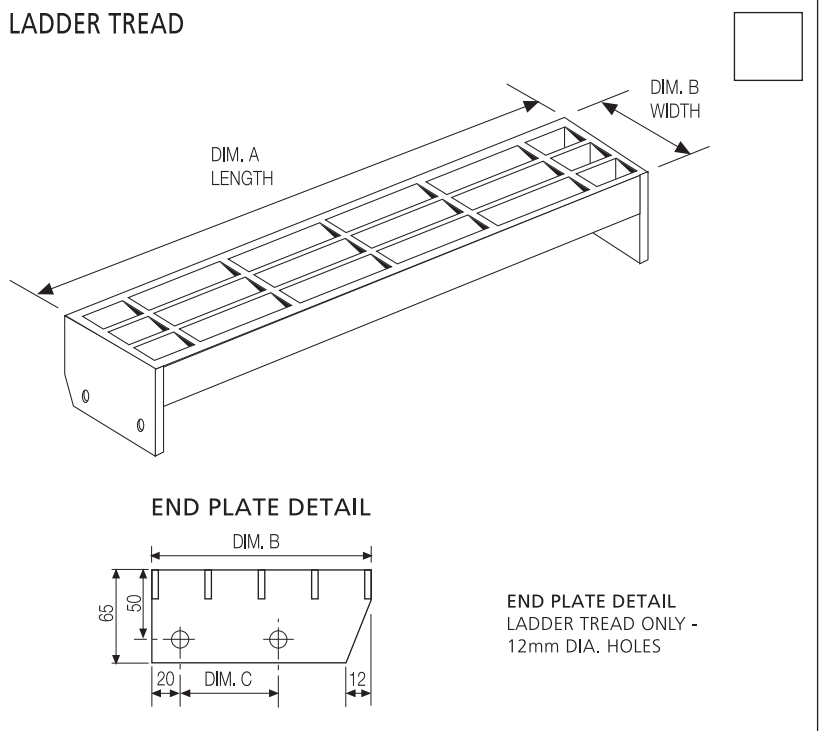
PLEASE SPECIFY _____

TYPES OF TREAD

OPEN TREAD



LADDER TREAD



COMMENTS